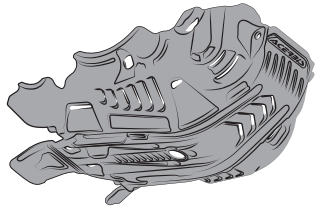


SKID PLATE KTM 690 SOTTOMOTORE KTM 690

COD. 500009052

ACERBIS PARTS



A - (1 PCS)



B - (3 PCS)



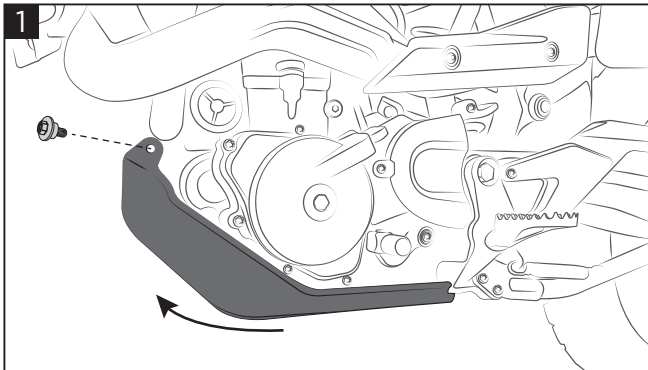
C - (1 PCS)



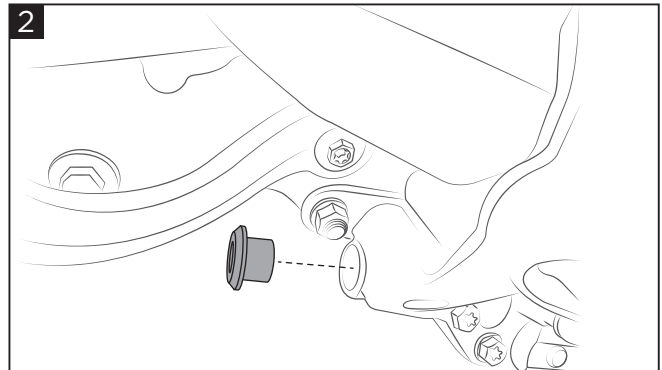
D - (2 PCS)



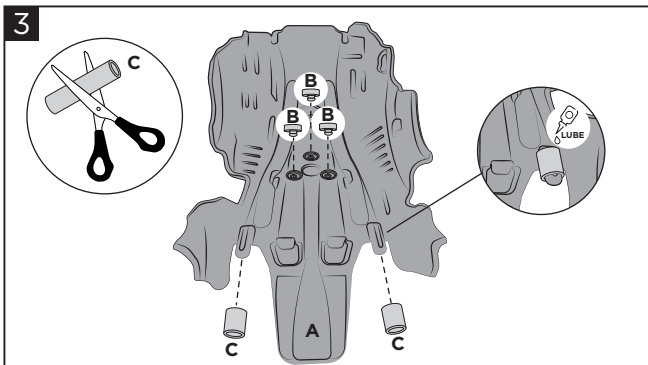
E - (2 PCS)



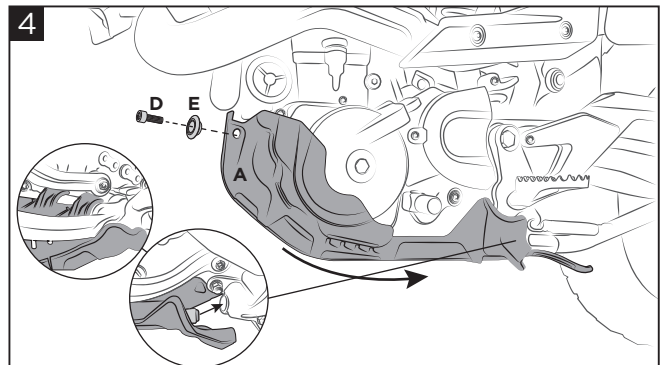
1
If present, remove the original skid plate by removing the screws and pulling it off.
Se presente, rimuovere il sottomotore originale, rimuovendo le viti e sfilandolo.



2
Remove the original grommets, if present.
Rimuovere i gommini originali se presenti.



3
Insert the grommets (B) into the appropriate seats on the Acerbis skid plate (A). Cut the rubber (C) into two 20mm pieces and fit them all the way bottom at the points indicated in the figure. To facilitate the assembly of the skid plate, apply lubricant to the grommets once they are assembled.
Inserire i gommini (B) nelle apposite sedi sul sottomotore Acerbis (A). Tagliare il gommino (C) in due pezzi da 20mm e calzarli fino in fondo, nei punti indicati in figura. Per facilitare il montaggio del sottomotore, applicare del lubrificante sui gommini una volta assemblati.



4
Place the Acerbis skid plate (A) on the motorcycle, pushing with force, making sure that the grommets fit into the appropriate slots and that the hook of the skid plate fits over the frame cross member. Secure using the bushings (E) and screws (D) on both sides.
Posizionare il sottomotore Acerbis (A) sulla moto, spingendo con forza, accertandosi che i gommini entrino nelle apposite sedi e che il gancio del sottomotore si incastri sopra il traversino del telaio. Fissare tramite le boccole (E) e le viti (D) da entrambi i lati.

WARNING!

Use Acerbis' products at your own risk. Check the safety of your device before you ride. Be sure that you follow the instructions for installing the Acerbis' products. Do not ride if there is missing or damaged hardware. If this is the case, take the item immediately back to your dealer. Make sure the throttle and other controls are free every time you ride. Not following these instructions and warnings could lead to interference with the controls, loss of control, and accidents. Acerbis recommends that installation must be done by a licensed mechanic and that only Acerbis' original parts are used during installation. Acerbis makes no guarantees or representations, express or implied, regarding the fitment of its product for any particular purpose. Acerbis makes no guarantees or representations, express or implied, regarding the extent to which its products protect individuals or property from injury or death or damage.

EUROPE

ACERBIS ITALIA S.P.A.
VIA SERIO, 37
24021 ALBINO (BG)
ITALY

U.S.A.

ACERBIS U.S.A. INC.
MAIL P.O. BOX 2030
SUN VALLEY, ID 83353
SHIP 110 LINDAY CIRCLE
KETCHUM, ID 83340
U.S.A.

UNITED KINGDOM

ACERBIS U.K LTD
UNIT 4 DUNFERMLINE COURT,
KINGSTON, MILTON KEYNES
MK10 0BY
GREAT BRITAIN